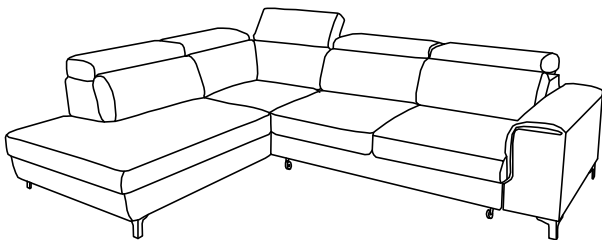
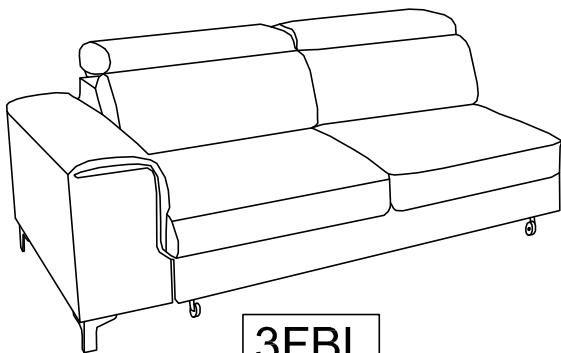
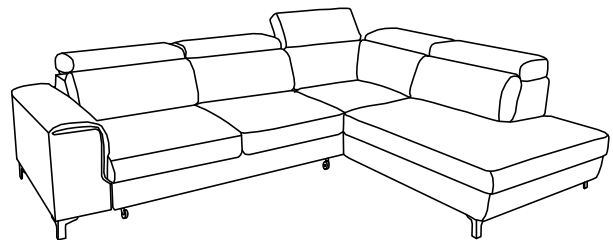


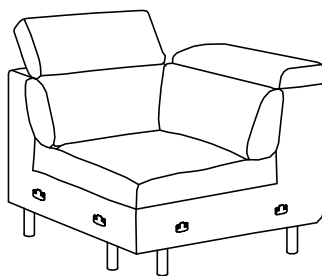
VERSION - L



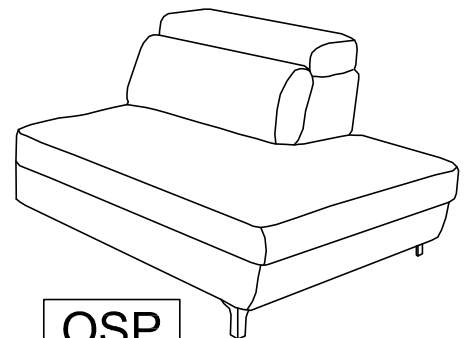
VERSION - R



3FBL



R



OSP

M6.0x25mm



A

8



B

4



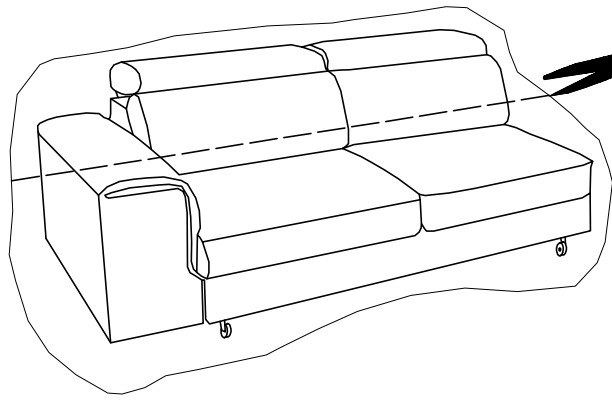
C

6



1

3FBL






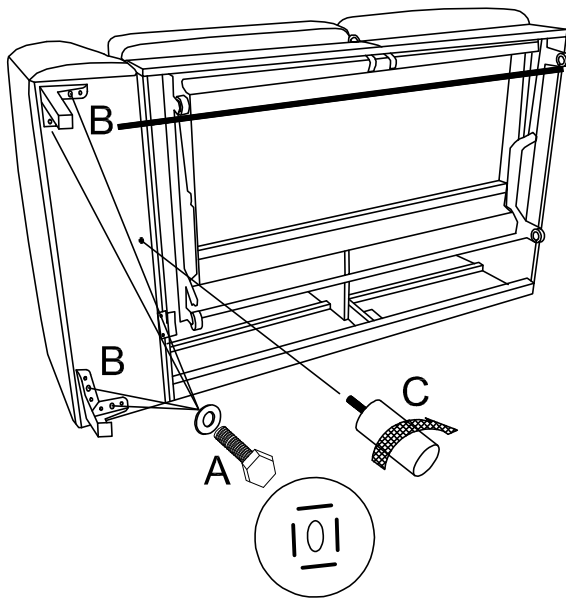
2

3FBL

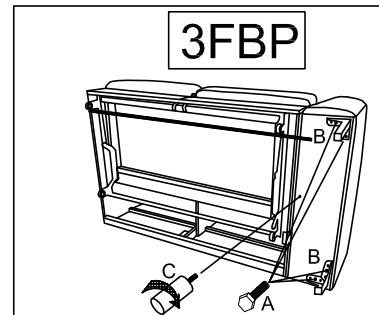


10

M6.0x25mm  A 4	 C 1
 B 2	



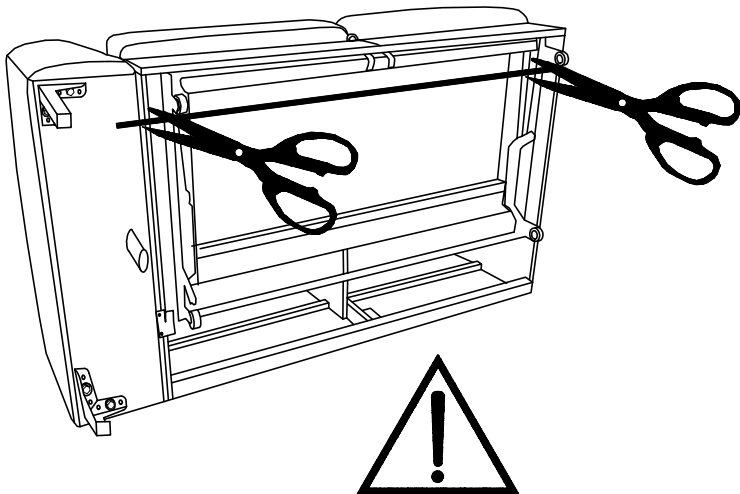
90°



3FBP

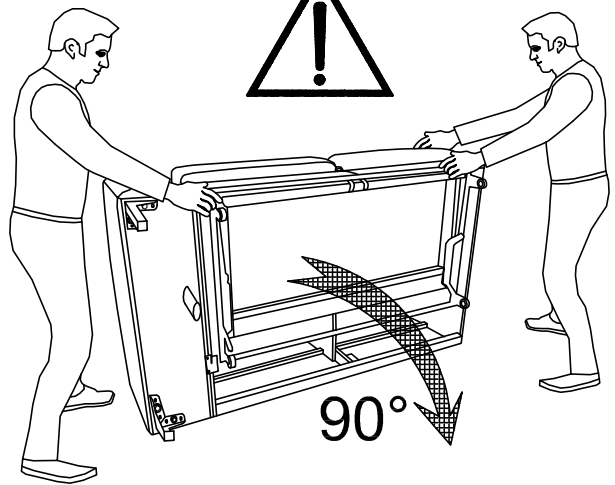
3

3FBL

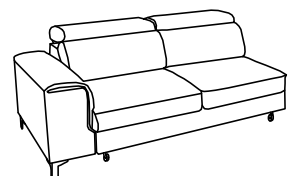


4

3FBL

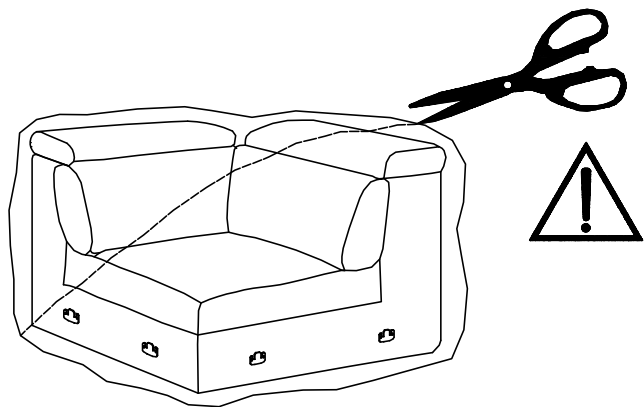


90°



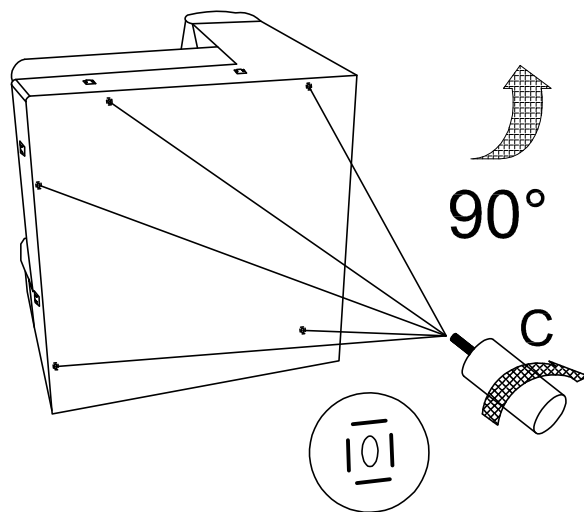
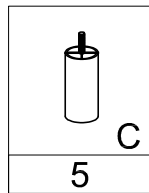
5

R



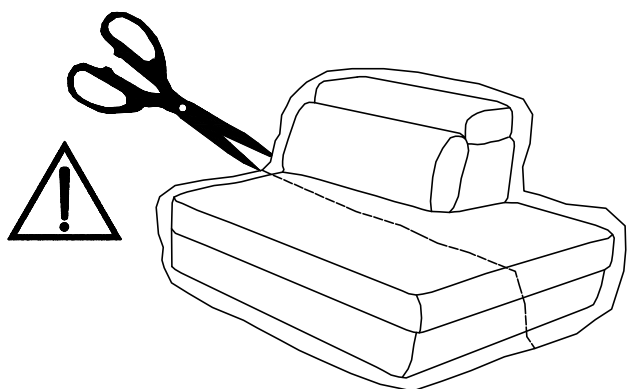
6

R



7

OSP

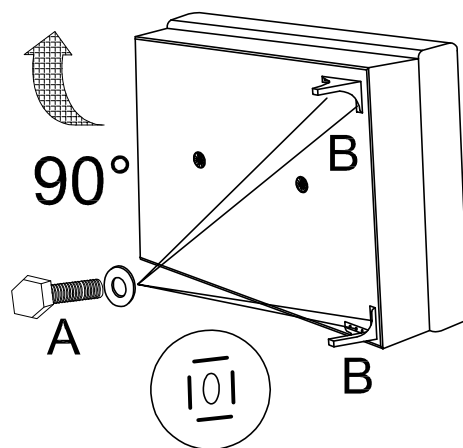
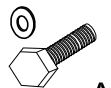


8

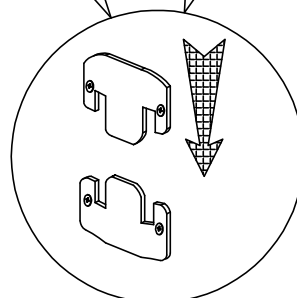
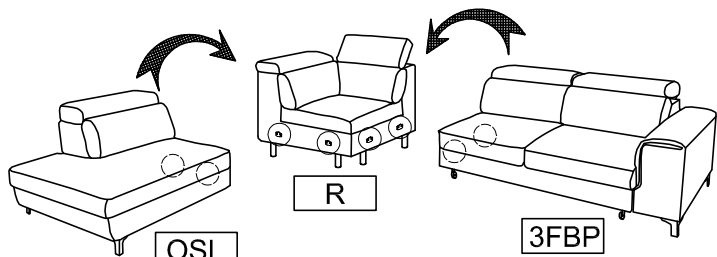
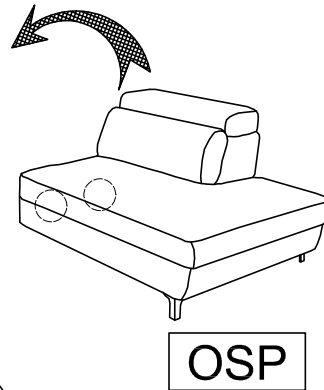
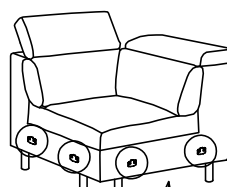
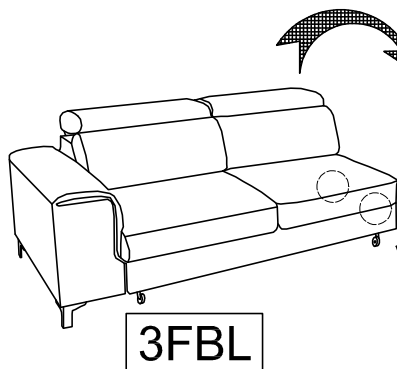
OSP



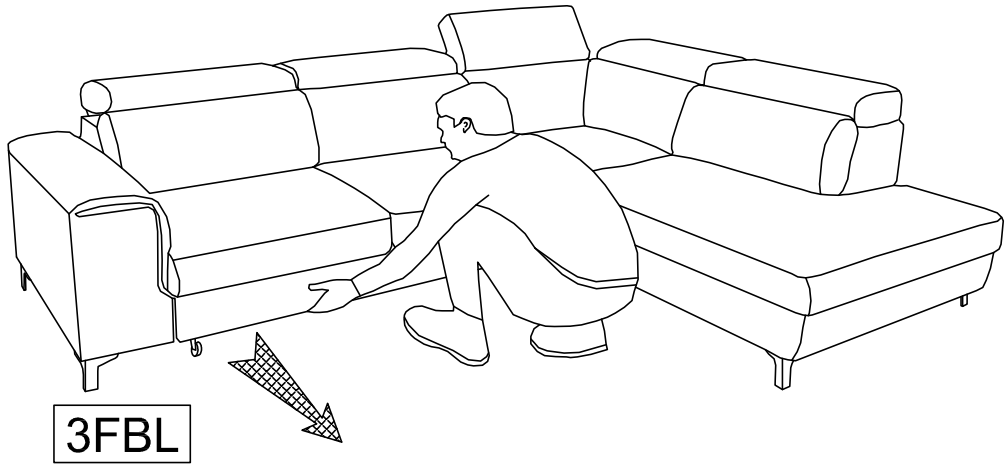
M6.0x25mm



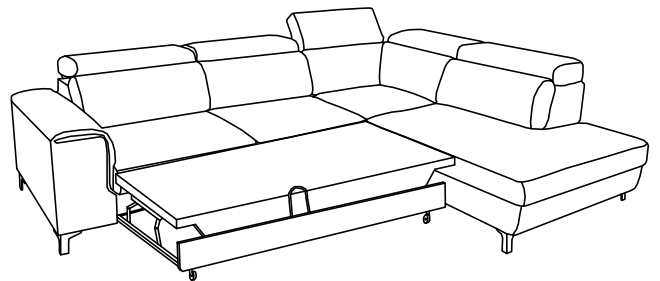
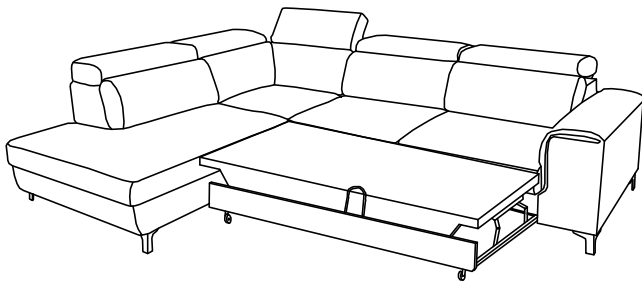
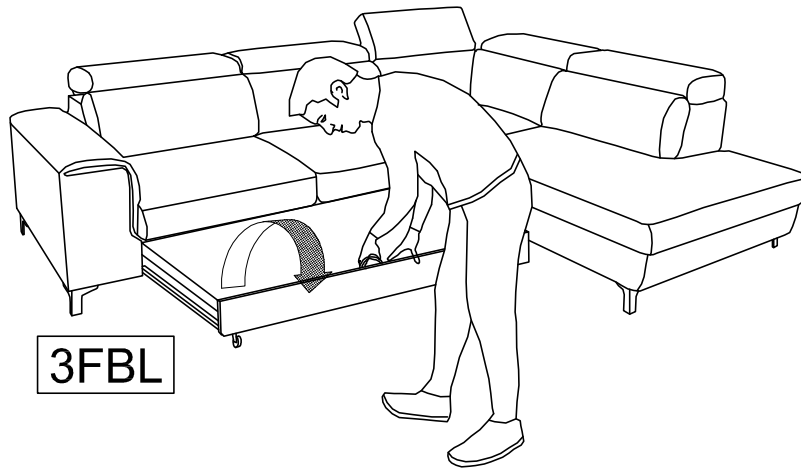
9



10



11



12

