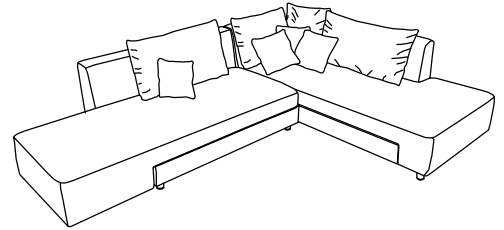
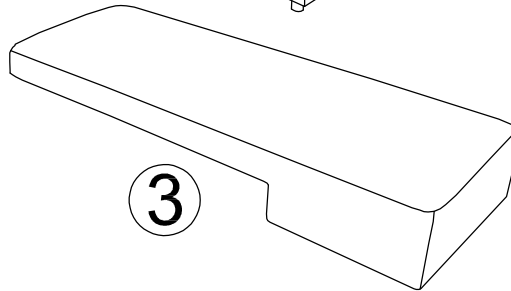
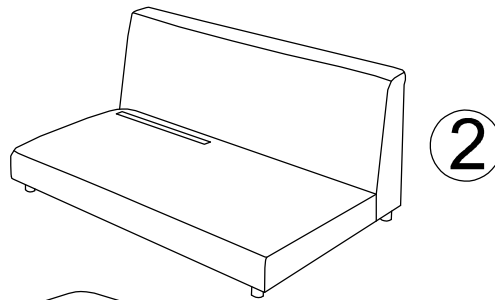
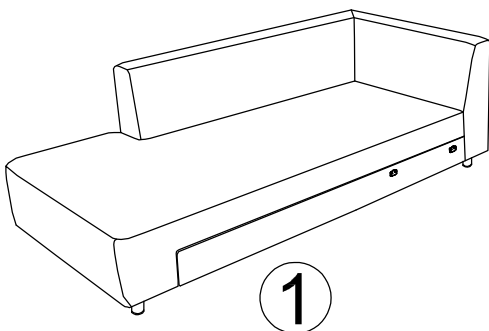
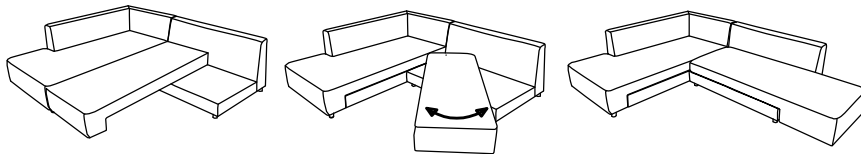
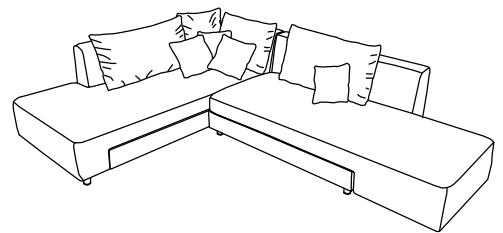







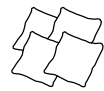
VERSION - R



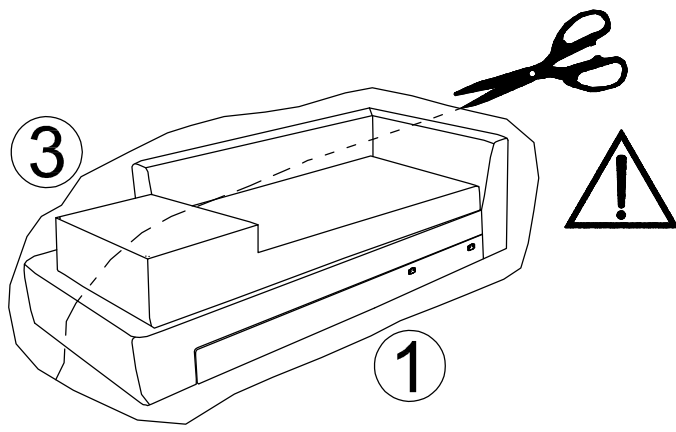
VERSION - L



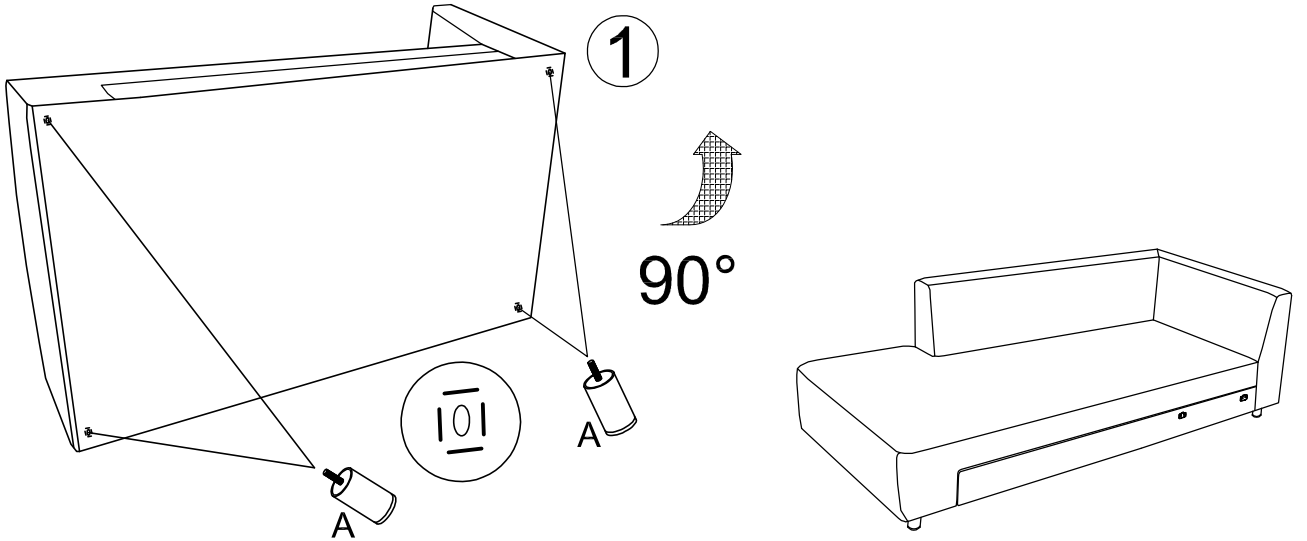
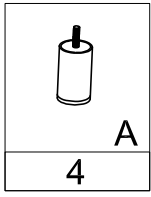
| | | |
|---|--|---|
|  | M6.0x40mm  |  |
| A | B | C |
| 8 | 4 | 2 |

| | | |
|---|---|--|
|  |  |  |
| 2 | 2 | 4 |

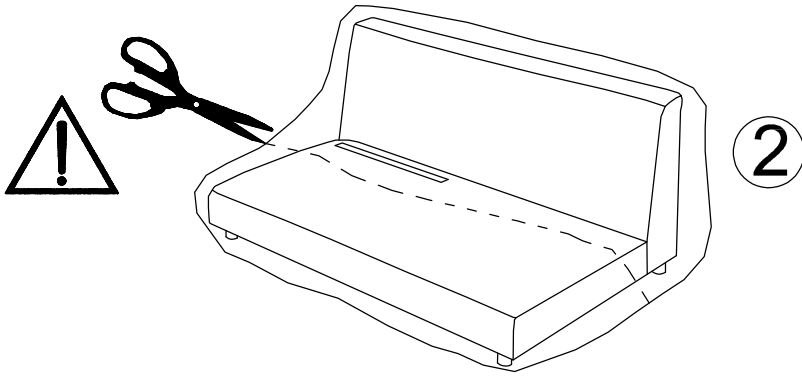
1



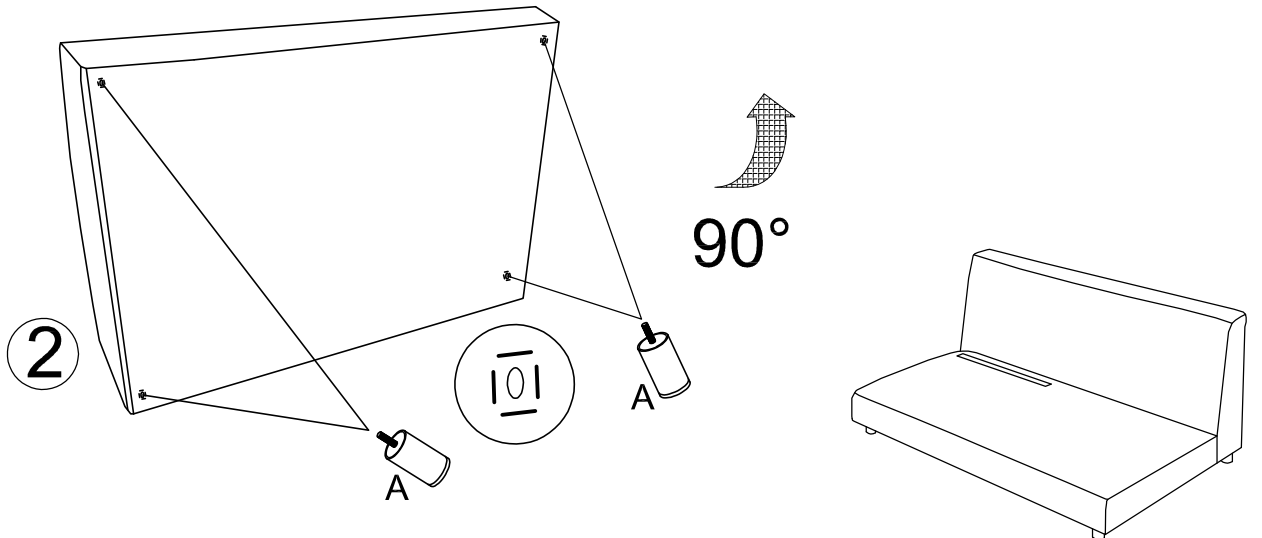
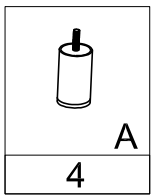
2



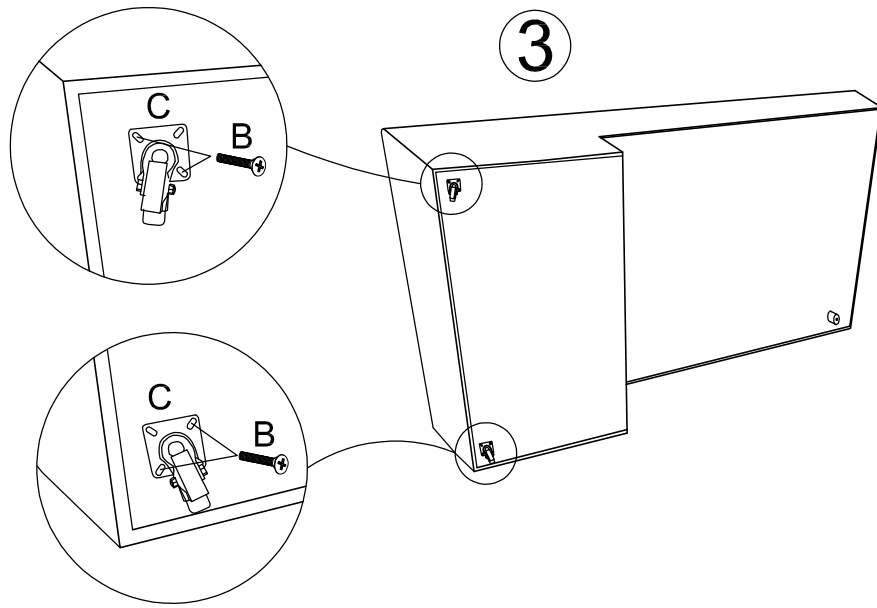
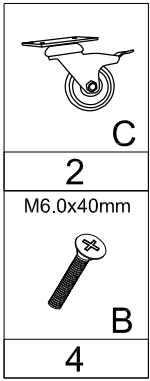
3



4

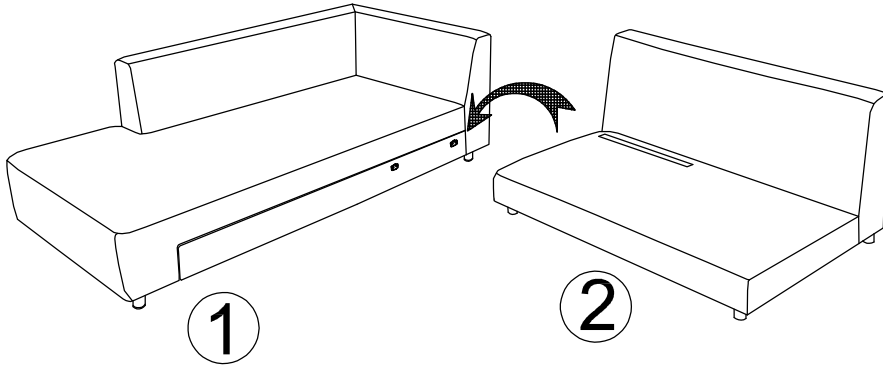


5

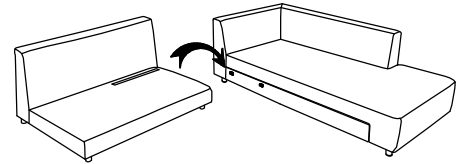


6

VERSION - L

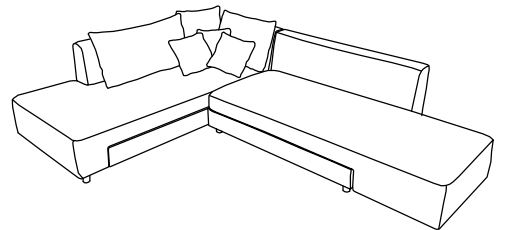
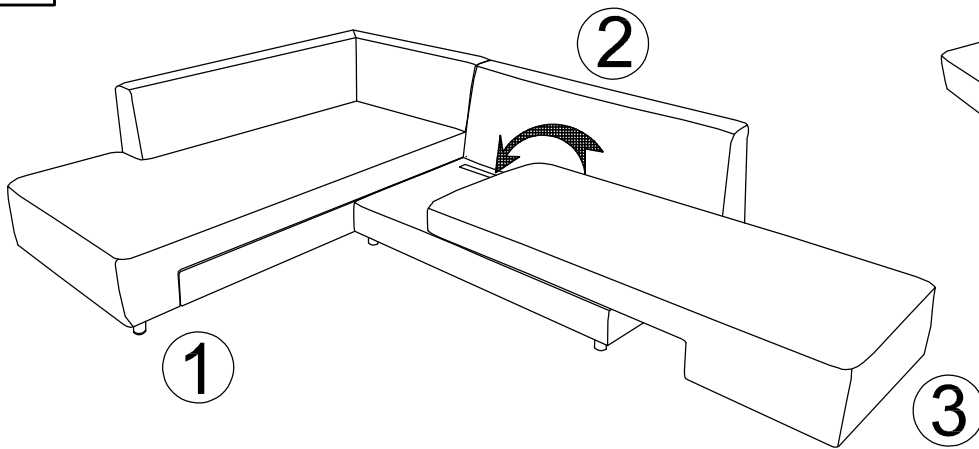


VERSION - R



7

VERSION - L



VERSION - R

